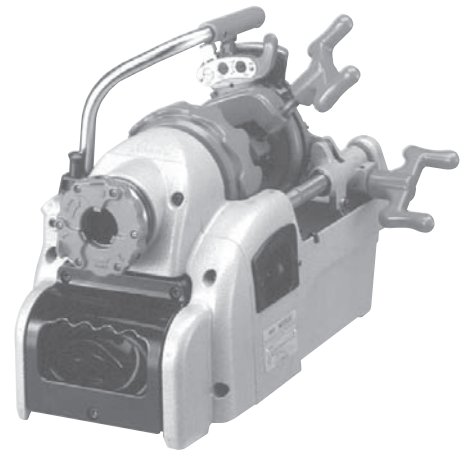
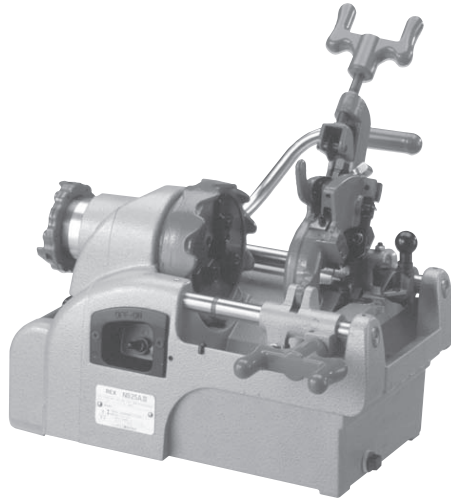


**REX**  
ELECTRIC PIPE THREADING MACHINE

# NS25A Series

## Parts List



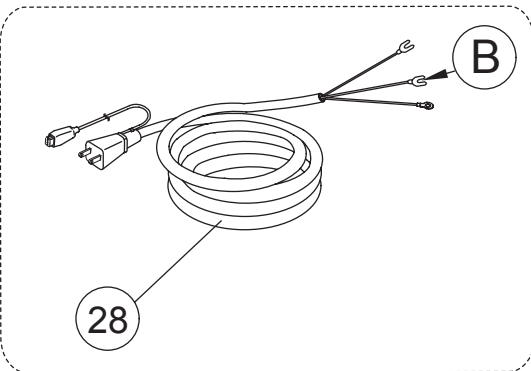
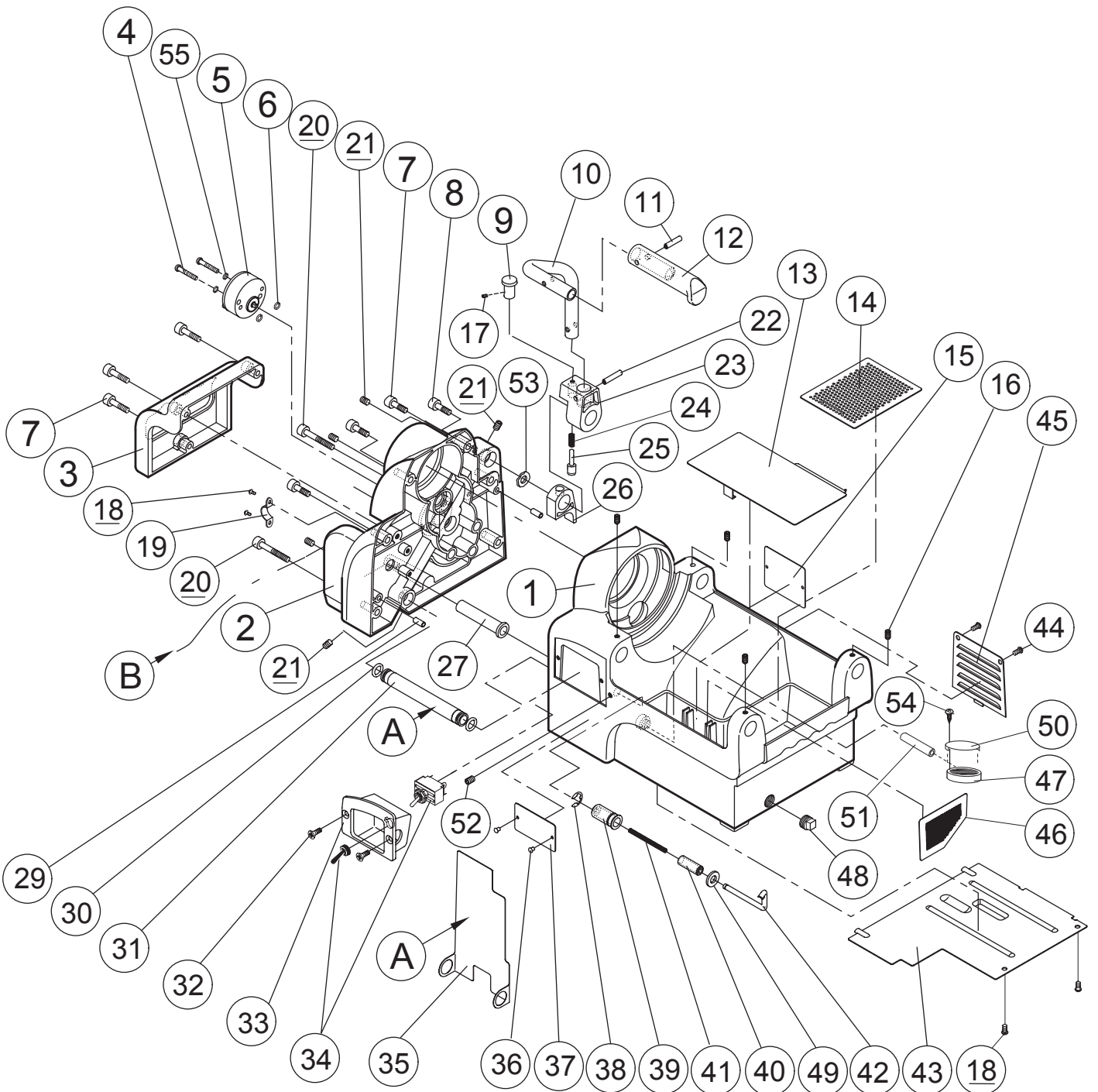
### CONTENTS

1. Base
2. □Main Shaft, Motor
3. Carriage
4. Cutter Reamer
5. Motor

**REX**

# NS25A Series

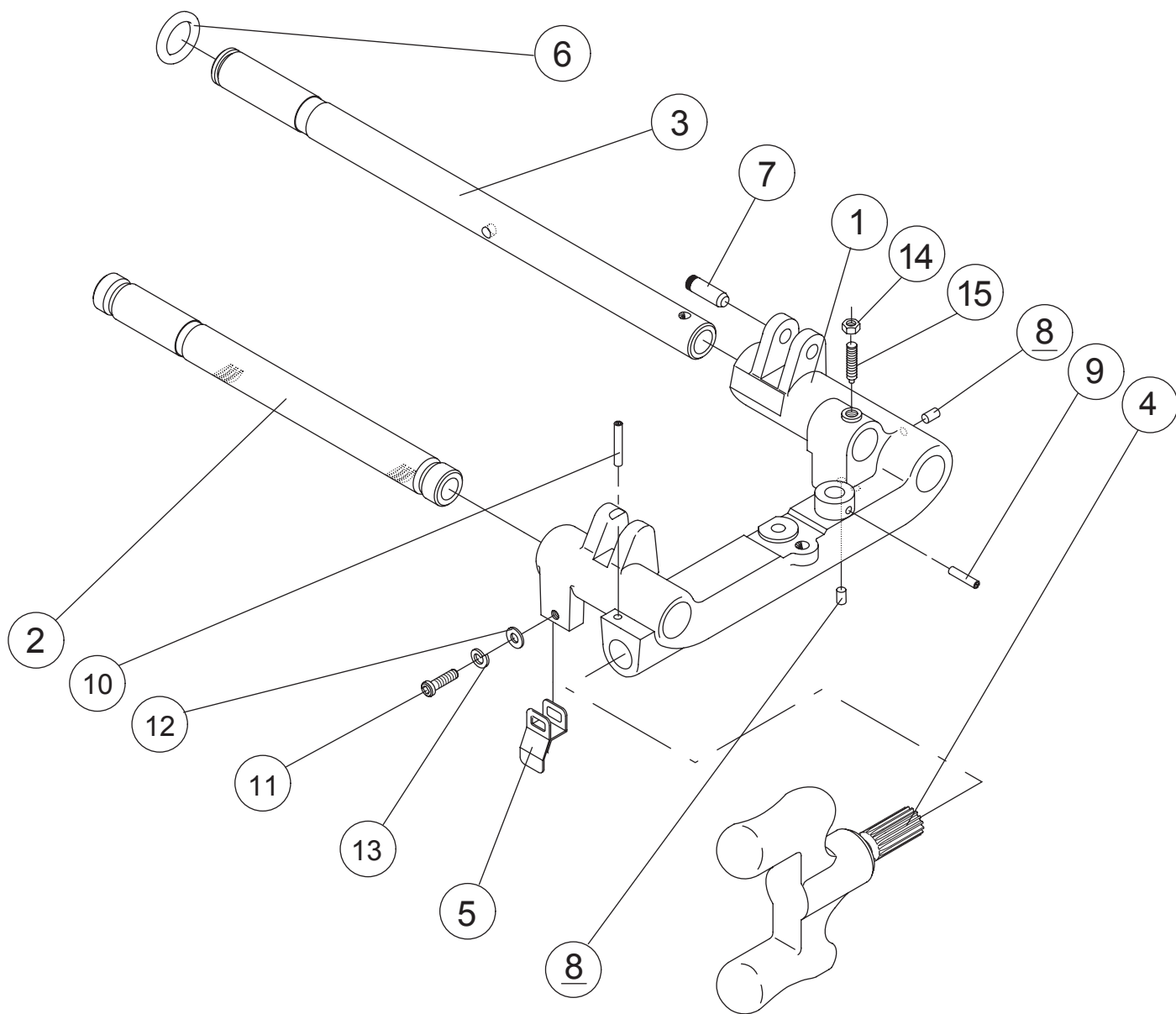
## 1. Base





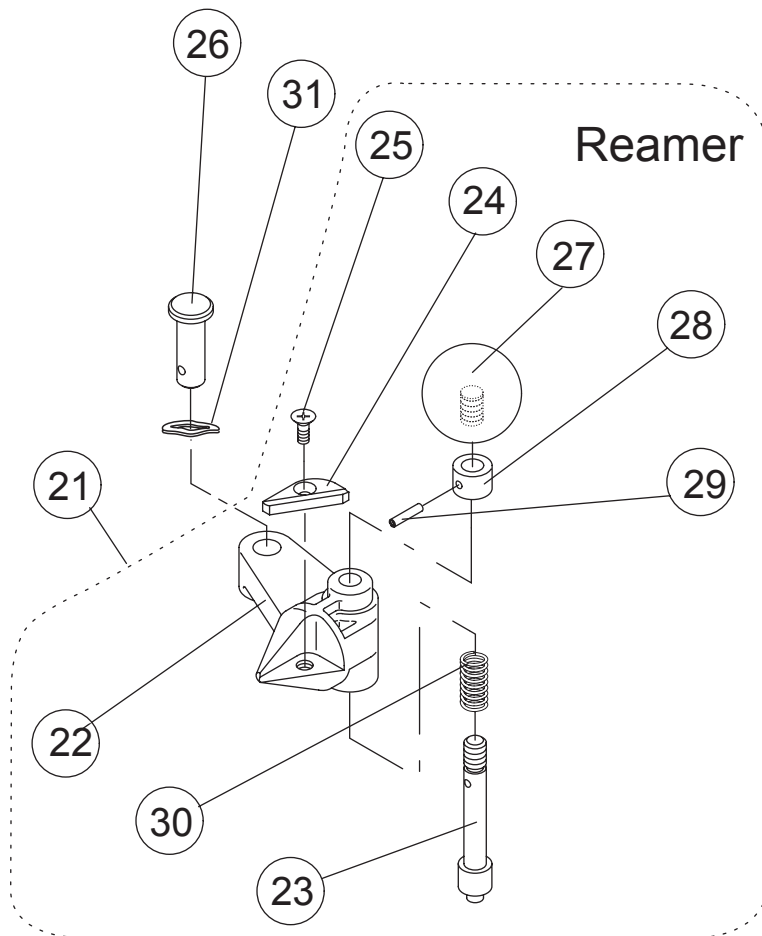
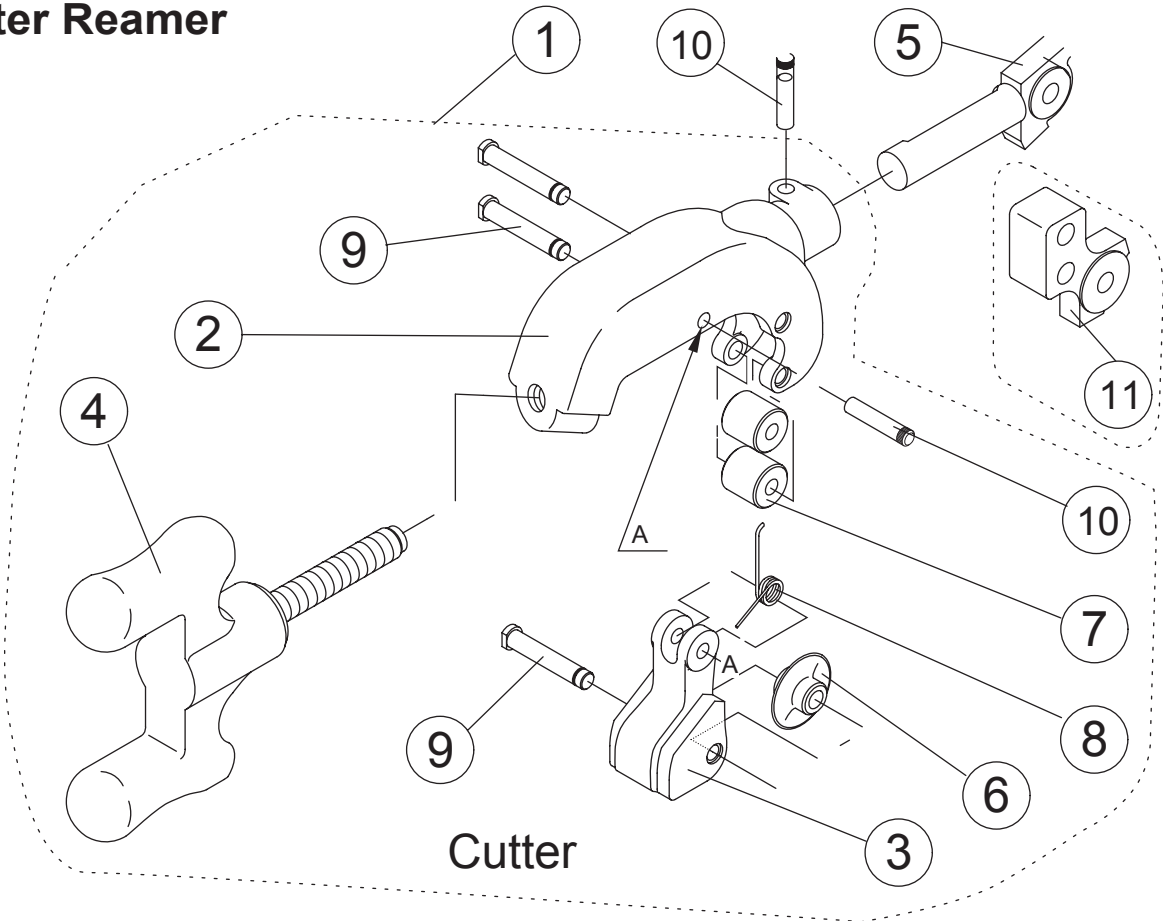
# NS25A Series

## 3. Carriage



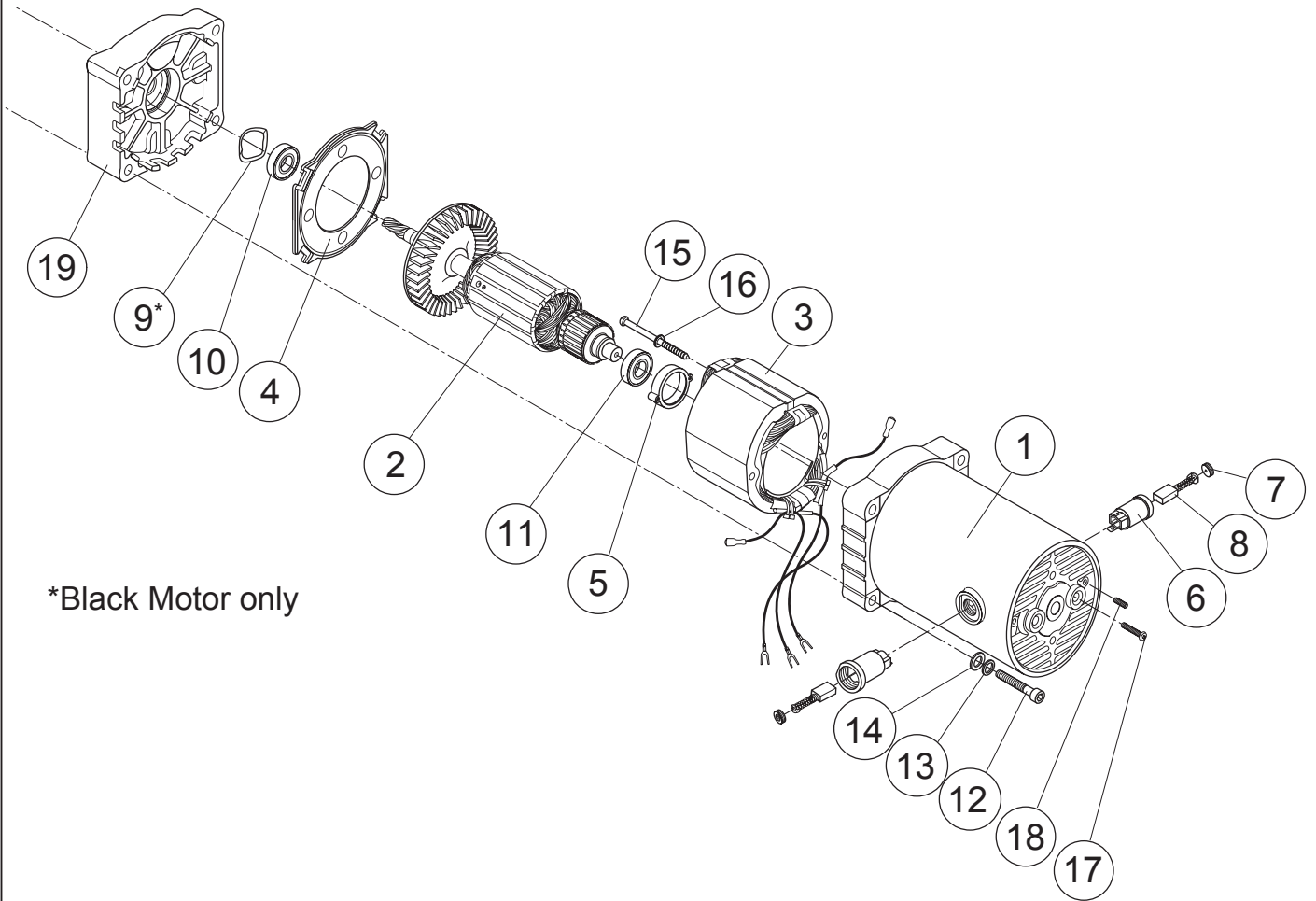
# NS25A Series

## 4. Cutter Reamer



# NS25A Series

## 5. Motor





## **REX INDUSTRIES CO., LTD.**

**Overseas Sales Dept. (Head Office & Factory):**

**1-9-3, Hishiyahigashi, Higashi Osaka 578-0948, Japan**

**Tel.: +81 - (0)72 - 961 - 9820 Fax.: +81 - (0)72 - 961 - 9878**

**URL** <http://www.rexind.co.jp>